

**Neptun**

[www.neptun-anhaenger.com](http://www.neptun-anhaenger.com)



2023





● Production  
▲ Sales



**For nearly 30 years, following the philosophy of parent company Trigano Group, its trailer division has been dedicated to designing, manufacturing and selling trailers of the highest quality and great parameters.**

With around 200,000 trailers sold each year, the Trigano Trailers Division has created and developed a network of professional dealers and retailers worldwide through good business relationships and mutual trust. In this product catalogue you will find the "Neptun" range of recreational and professional trailers. They are distributed throughout Europe by a network of professional dealers and retailers carefully selected according to our strategies. So you will always find a sales outlet close to you.

With 9 production sites in Europe, each with a complementary product range, and 1 wholesaler for accessories and parts, we are able to offer you a complete and comprehensive range of trailers and accessories. We are therefore convinced that we are the right partner for you and your requirements!

**Neptun**  
www.neptun-anhaenger.com

**STEEL SIDEBOARDS**

CITY - 4  
PRATIK - 6  
RUSTIK - 8  
PRO - 11



**WHEELS UNDER LOADING PLATFORM**

NORDICA - 14



**PLYWOOD SIDEBOARDS**

TRAILWOOD - 17  
BOIS - 19



**VERSATILE**

MULTI - 21



**TRANSPORT OF MOTORBIKES**

MOTO - 27



**TRANSPORT OF BOATS**

NAVY - 29



**TRANSPORT OF MACHINES, CARS AND SNOWMOBILES**

LAWETA- 32



**TIPPER**

KIPPER - 34



# CITY



Pic: N5-145 city

## SMALL AND HANDY CITY TRAILER

### 1 Easy and practical storage

The small dimensions of the CITY trailer allow it to be stored in small spaces. An additional advantage is the drawbar, which can be slid under the loading platform to further reduce storage space.

### 2 Always at hand

Due to its small dimensions, the CITY trailer is ideal for residents of blocks of flats and also for owners of quad bikes, which can also pull a loaded trailer.

### 3 Easy tarpaulin installation

The tarpaulin hooks are standard on NEPTUN trailers. They are used to attach both flat and high tarpaulins to the racks.

### 4 Safety and comfort

The trailers feature KNOTT independent axle suspension with rubber elements to ensure safe and stable driving.

### 5 Easy load securing

The load securing strap (rope) holders are located in the corners of the loading platform. The holders are fitted as standard on all NEPTUN trailers.

### 6 Light protection

The multifunction lights are mounted inside the rear beam and under the rear board so that they are protected from damage and from moisture and mud. The cable connectors are protected in the best possible way and ensure many years of maintenance-free operation.

## CITY - TECHNICAL SPECIFICATIONS

Code	Model	Sides	Internal Dimensions (mm)			GROSS WEIGHT (kg)	PAYLOAD (kg)	Axles	Tipping	Brakes	Tyres
			Length	Width	Height						
GN052	N5-145 city	Steel	1450	980	300	400	330	1			4.80x8



Accessory	GN052
Name	N5-145 city
Flat Cover, 520 g/m2, Grey	AP152
Flat Cover, 650 g/m2, Grey	AP083
Spare Wheel, 4.80x8, 4x98mm	KK025
Spare Wheel Support, drawbar	GA389
Anti-theft, Coupling Lock w/ Key	AU059
Anti-theft, Steel Locking Shoe w/ Key	AU090
Anti-theft, Box Lock w/ Padlock	AU121
Clamp for Jockey Wheel and Prop Stand, 200 mm	GA192
Jockey Wheel, 200 mm	KM002



N5-145 city: Flat Cover



N5-145 city: Spare Wheel Support



N5-145 city: Back



N5-145 city: Front



N5-145 city: Chassis

Typesetting and printing errors can be expected. Reprint of material is forbidden. V1/2016. We reserve the right for price and construction changes without prior notice at any time.

Typesetting and printing errors can be expected. Reprint of material is forbidden. V1/2016. We reserve the right for price and construction changes without prior notice at any time.

# PRATIK



Pic: N7-202 ptd

## PRACTICAL TRAILER FOR EVERYDAY NEEDS

### 1 Rigid and durable construction

High construction rigidity and durability are provided by the cold-formed U-section frame side members and the two transverse beams. The N7-202 ptd and N7-202 pts trailers have additional profiles in the drawbar which, extending to the rear of the trailer, further reinforce the floor.

### 2 Safety and comfort

The sagittal drawbar with reinforcement and KNOTT independent axle suspension with rubber elements to ensure safe and stable driving.

### 3 Strong and functional sideboards

The sideboards are made of high-quality zinc-plated sheet metal. They are profiled for high rigidity, impact resistance and aesthetics. The hooks for securing the tarpaulin, both flat and high one (on a rack), are standard equipment on NEPTUN trailers.

### 4 Easy load securing

The load securing strap (rope) holders are located in the corners of the loading platform. The holders are attached to the sideboards and not to the floor. In this way, the entire floor area is available for use and the plywood has no additional weakening holes.

### 5 Light protection

The multifunction lights are mounted inside the rear beam and under the rear board so that they are protected from damage and from moisture and mud. The cable connectors are protected in the best possible way and ensure many years of maintenance-free operation.

### 6 Easy unloading

Some PRATIK models have a manually tilting loading platform. This makes loading and unloading very easy.

## PRATIK - TECHNICAL SPECIFICATIONS

Code	Model	Sides	Internal Dimensions (mm)			GROSS WEIGHT (kg)	PAYLOAD (kg)	Axles	Tipping	Brakes	Tyres
			Length	Width	Height						
GN101	N5-155 ptw	Steel	1550	1140	300	550	444	1	√		5.00x10
GN103	N7-202 svw	Steel	2020	1140	260	750	628	1			155/70 R13
GN102	N7-202 ptw	Steel	2020	1140	300	750	624	1	√		155/70 R13
GN117	PR200	Steel	2020	1140	400	750	618	1	√		155/70 R13
GN129	N7-202 ptd	Steel	2020	1140	300	750	633	1			155/70 R13
GN218	N7-202 ptb	Steel	2020	1140	350	750	631	1			155/70 R13
GN146	N7-202 pts	Steel	2020	1250	300	750	626	1			155/70 R13
GN126	N7-236 ptw	Steel	2360	1290	300	750	602	1	√		155/70 R13
GN169	N7-253 ptw	Steel	2530	1290	300	750	600	1	√		155/70 R13
GN104	N7-263 ptw	Steel	2630	1250	300	750	592	1			155/70 R13



www.neptun-anhaenger.com

Accessory	GN101	GN103	GN102	GN117	GN129	GN218	GN146	GN126	GN169	GN104
Name	N5-155 ptw	N7-202 svw	N7-202 ptw	PR200	N7-202 ptd	N7-202 ptb	N7-202 pts	N7-236 ptw	N7-253 ptw	N7-263 ptw
Flat Cover, 520 g/m2, Grey	AP167	AP170	AP170	AP170	AP170	AP170	AP223	AP121	AP246	AP179
Flat Cover, 650 g/m2, Grey	AP183	AP186	AP186	AP186	AP186	AP186	AP226	AP042	AP247	AP189
Support Bar for Flat Cover, adjustable	GA257	GA257	GA257	GA257	GA257	GA257	GA257	GA257	GA257	GA257
High Cover w/ Strap Fasteners, 800 mm, 520 g/m2, Grey	AP169	AP172A	AP172A	AP172A	AP172A	AP172A	AP225	AP122	AP242	AP162
High Cover w/ Strap Fasteners, 800 mm, 650 g/m2, Grey	AP185	AP188	AP188	AP188	AP188	AP188	AP228	AP043	AP244	AP190
High Cover w/ Strap Fasteners, 800 mm, 650 g/m2, blue	-	AP202	AP202	AP202	AP202	AP202	-	AP203	-	AP204
High Cover w/ Strap Fasteners (ZIP), 800 mm, 520 g/m2, Grey	-	AP172	AP172	AP172	AP172	AP172	-	-	-	-
Hoops for High Cover, 800 mm plate	-	GA265	GA265	GA265	GA265	GA265	GA326	GA276	-	GA269
Hoops for High Cover, 800 mm pipe	GA246	GA248	GA248	GA248	GA248	GA248	GA344	GA219	GA373	GA348
High Cover w/ Strap Fasteners, 1200 mm, 520 g/m2, Grey	-	-	-	-	-	-	-	AP135	AP243	AP163
High Cover w/ Strap Fasteners, 1200 mm, 650 g/m2, Grey	-	-	-	-	-	-	-	AP057	AP245	AP191
Hoops for High Cover, 1200 mm pipe	-	-	-	-	-	-	-	GA220	GA374	GA340
Mesh Side Kit, 395 mm	-	GA252	GA252	GA252	GA252	GA252	GA329	GA035	GA376	GA232
Side Extension Kit, 370 mm	GA249	GA250	GA250	GA250	GA250	GA250	GA328	GA059	GA353	GA231
Ladder Rack and Side Rail Kit	-	GA254	GA254	GA254	GA254	GA254	-	GA022	-	GA233
Spare Wheel, 155/70 R13, 4x98 mm	-	KK014	KK014	KK014	KK014	KK014	KK014	KK014	KK014	KK014
Spare Wheel, 155/70 R13, 4x100 mm	-	KK022	KK022	KK022	KK022	KK022	KK022	KK022	KK022	KK022
Spare Wheel, 500x10, 4x98 mm	KK013	-	-	-	-	-	-	-	-	-
Spare Wheelholder, front	GA162	GA162	GA162	GA162	GA162	GA162	GA162	GA162	GA162	GA162
Anti-theft, Steel Locking Shoe w/ Key	AU090	AU090	AU090	AU090	AU090	AU090	AU090	AU090	AU090	AU090
Anti-theft, Box Lock w/ Padlock	AU121	-	AU121	AU121	-	-	-	AU121	AU121	-
Anti-theft, Coupling Lock w/ Key	AU059	AU059	AU059	AU059	AU059	AU059	AU059	AU059	AU059	AU059
Clamp for Jockey Wheel and Prop Stand, 200 mm	OK002	OK002	OK002	OK002	OK002	OK002	OK002	OK002	OK002	OK002
Jockey Wheel, 200 mm	KM002	KM002	KM002	KM002	KM002	KM002	KM002	KM002	KM002	KM002
Jockey Wheel w/ Clamp, 200 mm	GA227	GA227	GA227	GA227	GA227	GA227	GA227	GA227	GA227	GA227
Prop Stand, 700 mm	KM006	KM006	KM006	KM006	-	-	-	KM006	KM006	KM006



N7-263 ptw: Ladder Rack and Side Rail Kit



N7-263 ptw: Spare Wheel Support



N7-236 ptw: Side Extension Kit



N7-236 ptw: Mesh Side Kit



N7-202 ptd: Comfort A Kit



N7-236 ptw: Flat Cover

Typesetting and printing errors can be expected. Reprint of material is forbidden. V1/2020. We reserve the right for price and construction changes without prior notice at any time.

Typesetting and printing errors can be expected. Reprint of material is forbidden. V1/2020. We reserve the right for price and construction changes without prior notice at any time.

# RUSTIK



Pic: N7-236 rt

## MODERN SEMI-PROFESSIONAL TRAILERS

### 1 Rigid and durable construction

High constructional strength is provided by the fully welded frame and drawbar with reinforcement, the cold-formed U-section frame side members and its transverse beams.

### 2 Two in one

The sideboards can be easily removed. This provides the user with a flat platform for transporting larger loads.

### 3 Safety and comfort

The trailers feature KNOTT (in non-braked models) and AL-KO (in braked models) independent axle suspension with rubber elements to ensure safe and stable driving. On spring trailers, the suspension function is performed by a (4 leaf) spring with shock absorber.

### 4 Strong and functional sideboards

The 400 mm profiled sideboards are made of high-quality zinc-plated sheet metal. They are profiled for high rigidity, impact resistance and aesthetics. The front board can be opened, allowing long loads to be transported.

### 5 Easy load securing

The load securing strap (rope) holders are located in the corners of the loading platform. The holders are attached to the floor and to the welded frame, which makes it possible to secure the load much better.

### 6 Light protection

The multifunction lights are mounted inside the rear beam and under the rear board so that they are protected from damage and from moisture and mud. The cable connectors are protected in the best possible way and ensure many years of maintenance-free operation.

### 7 Easy unloading

All RUSTIK single-axle models have a tilting loading platform. This makes the load easy to remove from the vehicle.

## RUSTIK - TECHNICAL SPECIFICATIONS

Code	Model	Sides	Internal Dimensions (mm)			GROSS WEIGHT (kg)	PAYLOAD (kg)	Axles	Tipping	Brakes	Tyres
			Length	Width	Height						
GN213	N7-210 rt	Steel	2100	1290	400	750	581	1	√		155/70 R13
GN215	N7-210 rtr	Steel	2100	1290	400	750	567	spring	√		155/70 R13
GN099	N7-236 rt	Steel	2360	1290	400	750	576	1	√		165/70 R13
GN190	N7-236 rtr	Steel	2360	1290	400	750	558	spring	√		165/70 R13
GN244	N7-253 rt	Steel	2530	1290	400	750	559	1	√		165/70 R13
GN158	N7-263 rt	Steel	2630	1290	400	750	554	1	√		165/70 R13
GN192	N7-263 rtr	Steel	2630	1290	400	750	550	spring	√		165/70 R13
GN100	N7-236 2 rt	Steel	2360	1290	400	750	515	2			155/70 R13
GN245	N7-253 2 rt	Steel	2530	1290	400	750	512	2			155/70 R13
GN149	N7-263 2 rt	Steel	2630	1290	400	750	503	2			155/70 R13
GN132	N13-236 rt	Steel	2360	1290	400	1350	1095	1	√	√	185 R14C
GN186	N13-253 rt	Steel	2530	1290	400	1350	1084	1	√	√	185 R14C

**Neptun**  
www.neptun-anhaenger.com

Accessory	GN213	GN215	GN099	GN190	GN244	GN158	GN192	GN100	GN245	GN149
Name	N7-210 rt	N7-210 rtr	N7-236 rt	N7-236 rtr	N7-253 rt	N7-263 rt	N7-263 rtr	N7-236 2 rt	N7-253 2 rt	N7-263 2 rt
Flat Cover, 520 g/m2, Grey	AP266	AP266	AP121	AP121	AP246	AP229	AP229	AP121	AP246	AP229
Flat Cover, 650 g/m2, Grey	AP267	AP267	AP042	AP042	AP247	AP233	AP233	AP042	AP247	AP233
Support Bar for Flat Cover, adjustable	GA257	GA257	GA257	GA257	GA257	GA257	GA257	GA257	GA257	GA257
High Cover w/ Strap Fasteners, 800 mm, 520 g/m2, Grey	AP268	AP268	AP122	AP122	AP242	AP231	AP231	AP122	AP242	AP231
High Cover w/ Strap Fasteners, 800 mm, 650 g/m2, Grey	AP269	AP269	AP043	AP043	AP244	AP235	AP235	AP043	AP244	AP235
High Cover w/ Strap Fasteners, 800 mm, 650 g/m2, blue	-	-	AP203	AP203	-	-	-	AP203	-	-
Hoops for High Cover, 800 mm	GA399	GA399	GA219	GA219	GA373	GA346	GA346	GA219	GA373	GA346
High Cover w/ Strap Fasteners, 1200 mm, 520 g/m2, Grey	-	-	AP135	AP135	AP243	AP232	AP232	AP135	AP243	AP232
High Cover w/ Strap Fasteners, 1200 mm, 650 g/m2, Grey	-	-	AP057	AP057	AP245	AP236	AP236	AP057	AP245	AP236
Hoops for High Cover, 1200 mm	-	-	GA220	GA220	GA374	GA339	GA339	GA220	GA374	GA339
Mesh Side Kit, 395 mm	-	-	GA035	GA035	GA376	GA335	GA335	GA035	GA376	GA335
Side Extension Kit, 370 mm	GA400	GA400	GA059	GA059	GA353	GA334	GA334	GA059	GA353	GA334
Ladder Rack and Side Rail Kit	-	-	GA022	GA022	GA352	GA336	GA336	GA022	GA352	GA336
Spare Wheel, 155/70 R13, 4x98 mm	KK014	KK014	-	-	-	-	-	KK014	KK014	KK014
Spare Wheel, 155/70 R13, 4x100 mm	KK022	KK022	-	-	-	-	-	KK022	KK022	KK022
Spare Wheel, 165/70 R13, 4x98 mm	-	-	KK006	KK006	KK006	KK006	KK006	-	-	-
Spare Wheel 165/70 R13, 4x 00 mm	-	-	KK026	KK026	KK026	KK026	KK026	-	-	-
Spare Wheelholder, side	GA099	GA099	GA099	GA099	GA099	GA099	GA099	GA099	GA099	GA099
Anti-theft, Steel Locking Shoe w/ Key	AU090	AU090	AU090	AU090	AU090	AU090	AU090	AU090	AU090	AU090
Anti-theft, Box Lock w/ Padlock	AU121	AU121	AU121	AU121	AU121	AU121	AU121	AU121	AU121	AU121
Anti-theft, Coupling Lock w/ Key	AU059	AU059	AU059	AU059	AU059	AU059	AU059	AU059	AU059	AU059
Clamp for Jockey Wheel and Prop Stand, 200 mm	OK002	OK002	OK002	OK002	OK002	OK002	OK002	OK002	OK002	OK002
Jockey Wheel, 200 mm	KM002	KM002	KM002	KM002	KM002	KM002	KM002	KM002	KM002	KM002
Jockey Wheel w/ Clamp, 200 mm	GA227	GA227	GA227	GA227	GA227	GA227	GA227	GA227	GA227	GA227
Prop Stand, 700 mm	KM006	KM006	KM006	KM006	KM006	KM006	KM006	KM006	KM006	KM006
Rear panel board - driveway	GA320	GA320	GA320	GA320	GA319	GA320	GA320	-	-	-
Shock Absorber, 750 kg	QS008	-	QS008	-	QS008	QS008	-	-	-	-
Shock Absorber Kit, 750 kg	GZ598	-	GZ598	-	GZ598	GZ598	-	-	-	-
Gas Spring	-	-	QS009	QS009	QS009	QS009	QS009	-	-	-
Gas Spring, Fitting for Drawbar	-	-	GZ506	GZ506	GZ506	GZ506	GZ506	-	-	-
Gas Spring, Fitting for Chassis	-	-	GZ594	GZ594	GZ594	GZ594	GZ594	-	-	-



N7-236 rt: Mesh Side Kit



N7-236 rt: Side Extension Kit



N7-236 2 rt: High Cover

Typesetting and printing errors can be expected. Reprint of material is forbidden. V1/2020 en  
We reserve the right for price and construction changes without prior notice at any time.

Typesetting and printing errors can be expected. Reprint of material is forbidden. V1/2020 en  
We reserve the right for price and construction changes without prior notice at any time.

Accessory	GN132	GN186
Name	N13-236 rt	N13-253 rt
Flat Cover, 520 g/m2, Grey	AP121	AP246
Flat Cover, 650 g/m2, Grey	AP042	AP247
Support Bar for Flat Cover, adjustable	GA257	GA257
High Cover w/ Strap Fasteners, 800 mm, 650 g/m2, blue	AP203	-
High Cover w/ Strap Fasteners, 800 mm, 520 g/m2, Grey	AP122	AP242
High Cover w/ Strap Fasteners, 800 mm, 650 g/m2, Grey	AP043	AP244
Hoops for High Cover, 800 mm	GA219	GA373
High Cover w/ Strap Fasteners, 1200 mm, 520 g/m2, Grey	AP135	AP243
High Cover w/ Strap Fasteners, 1200 mm, 650 g/m2, Grey	AP057	AP245
Hoops for High Cover, 1200 mm	GA220	GA374
Mesh Side Kit, 395 mm	GA035	GA376
Side Extension Kit, 370 mm	GA059	GA353
Ladder Rack and Side Rail Kit	GA022	GA352
Spare Wheel, 185 R14C, 5x112 mm	KK008	KK008
Anti-theft, Box Lock w/ Padlock	AU121	AU121
Clamp for Jockey Wheel and Prop Stand, 200 mm	OK002	OK002
Jockey Wheel, 200 mm	KM002	KM002
Jockey Wheel w/ Clamp, 200 mm	GA227	GA227
Prop Stand, 700 mm	KM006	KM006
Rear panel board - driveway	GA320	GA320
Set of shock absorbers for braked axles, AL-KO	GA355	GA355
Gas Spring, Fitting for Drawbar-Chassis	GZ898	GZ898



**N13-236 rt:** Mesh Side Kit



**N13-236 rt:** High Cover



**N13-236 rt:** Ladder Rack and Side Rail Kit

Typesetting and printing errors can be expected. Reprint of material is forbidden. V1/20.en  
We reserve the right for price and construction changes without prior notice at any time.

# PRO



Pic: N07-236 pro

## PROFESSIONAL TRAILERS

### 1 Rigid and durable construction

High construction strength is provided by the fully welded frame and drawbar, the cold-formed U-section frame side members and its transverse beams (two or three depending on the trailer model)

### 2 Two in one

The sideboards can be easily removed. This provides the user with a flat platform for transporting larger loads.

### 3 Safety and comfort

The trailers feature KNOTT (in non-braked models) and AL-KO (in braked models) independent axle suspension with rubber elements to ensure safe and stable driving. On spring trailers, the suspension function is performed by a (4 leaf) spring with shock absorber.

### 4 Strong and functional sideboards

The 450 mm profiled sideboards are made of high-quality zinc-plated sheet metal. They are profiled for high rigidity, impact resistance and aesthetics. The front board can be opened, allowing long loads to be transported.

### 5 Easy load securing

The load securing strap (rope) holders are located in the corners of the loading platform. The holders are attached to the floor and to the welded frame, which makes it possible to secure the load much better.

### 6 Light protection

The multifunction lights are mounted inside the rear beam and under the rear board so that they are protected from damage and from moisture and mud. The cable connectors are protected in the best possible way and ensure many years of maintenance-free operation.

### 7 Easy unloading

All PRO single-axle models have a tilting loading platform. This makes the load easy to remove from the vehicle.

## PRO - TECHNICAL SPECIFICATIONS

Code	Model	Sides	Internal Dimensions (mm)			GROSS WEIGHT (kg)	PAYLOAD (kg)	Axles	Tipping	Brakes	Tyres
			Length	Width	Height						
GN023	N7-236 pro	Steel	2360	1290	450	750	559	1	√		165/70 R13
GN180	N7-236 prr	Steel	2360	1290	450	750	543	spring	√		165/70 R13
GN246	N7-253 pro	Steel	2530	1290	450	750	546	1	√		165/70 R13
GN159	N7-263 pro	Steel	2630	1290	450	750	538	1	√		165/70 R13
GN182	N7-263 prr	Steel	2630	1290	450	750	533	spring	√		165/70 R13
GN082	N7-236 2 pro	Steel	2360	1290	450	750	502	2			155/70 R13
GN247	N7-253 2 pro	Steel	2530	1290	450	750	498	2			155/70 R13
GN148	N7-263 2 pro	Steel	2630	1290	450	750	495	2			155/70 R13
GN199	N7-263 2 pro+	Steel	2630	1290	500	750	471	2			155/70 R13
GN136	N07-236 pro	Steel	2360	1290	450	750	518	1	√	√	165/70 R13
GN037	N13-236 pro	Steel	2360	1290	450	1350	1078	1	√	√	185 R14C
GN174	N13-253 pro	Steel	2530	1290	450	1350	1068	1	√	√	185 R14C
GN175	N16-253 pro	Steel	2530	1290	450	1600	1300	1	√	√	185 R14C

**Neptun**  
www.neptun-anhaenger.com

Typesetting and printing errors can be expected. Reprint of material is forbidden. V1/20.en  
We reserve the right for price and construction changes without prior notice at any time.

Accessory	GN023	GN180	GN246	GN159	GN182	GN082	GN247	GN148	GN199
Name	N7-236 pro	N7-236 prr	N7-253 pro	N7-263 pro	N7-263 prr	N7-236 2 pro	N7-253 2 pro	N7-263 2 pro	N7-263 2 pro+
Flat Cover, 520 g/m2, Grey	AP121	AP121	AP246	AP229	AP229	AP121	AP246	AP229	AP229
Flat Cover, 650 g/m2, Grey	AP042	AP042	AP247	AP233	AP233	AP042	AP247	AP233	AP233
Support Bar for Flat Cover, adjustable	GA257	GA257	GA257	GA257	GA257	GA257	GA257	GA257	GA257
High Cover w/ Strap Fasteners, 800 mm, 650 g/m2, blue	AP203	AP203	-	-	-	AP203	-	-	-
High Cover w/ Strap Fasteners, 800 mm, 520 g/m2, Grey	AP122	AP122	AP242	AP231	AP231	AP122	AP242	AP231	AP231
High Cover w/ Strap Fasteners, 800 mm, 650 g/m2, Grey	AP043	AP043	AP244	AP235	AP235	AP043	AP244	AP235	AP235
Hoops for High Cover, 800 mm	GA219	GA219	GA373	GA346	GA346	GA219	GA373	GA346	GA346
High Cover w/ Strap Fasteners, 1200 mm, 520 g/m2, Grey	AP135	AP135	AP243	AP232	AP232	AP135	AP243	AP232	AP232
High Cover w/ Strap Fasteners, 1200 mm, 650 g/m2, Grey	AP057	AP057	AP245	AP236	AP236	AP057	AP245	AP236	AP236
Hoops for High Cover, 1200 mm	GA220	GA220	GA374	GA339	GA339	GA220	GA374	GA339	GA339
Mesh Side Kit, 395 mm	GA035	GA035	GA376	GA335	GA335	GA035	GA376	GA335	GA335
Side Extension Kit, 370 mm	GA059	GA059	GA353	GA334	GA334	GA059	GA353	GA334	GA334
Ladder Rack and Side Rail Kit	GA022	GA022	GA352	GA336	GA336	GA022	GA352	GA336	GA336
Spare Wheel, 155/70 R13, 4x98 mm	-	-	-	-	-	KK014	KK014	KK014	KK014
Spare Wheel, 155/70 R13, 4x100 mm	-	-	-	-	-	KK022	KK022	KK022	KK022
Spare Wheel, 165/70 R13, 4x98 mm	KK006	KK006	KK006	KK006	KK006	-	-	-	-
Spare Wheel, 165/70 R13, 4x100 mm	KK026	KK026	KK026	KK026	KK026	-	-	-	-
Spare Wheelsholder, Trækstang	GA159	GA159	GA159	GA159	GA159	GA159	GA159	GA159	GA159
Spare Wheelsholder, side	GA099	GA099	GA099	GA099	GA099	GA099	GA099	GA099	GA099
Anti-theft, Steel Locking Shoe w/ Key	AU090	AU090	AU090	AU090	AU090	AU090	AU090	AU090	AU090
Anti-theft, Box Lock w/ Padlock	AU121	AU121	AU121	AU121	AU121	AU121	AU121	AU121	AU121
Anti-theft, Coupling Lock w/ Key	AU059	AU059	AU059	AU059	AU059	AU059	AU059	AU059	AU059
Clamp for Jockey Wheel and Prop Stand, 200 mm	OK002	OK002	OK002	OK002	OK002	OK002	OK002	OK002	OK002
Jockey Wheel, 200 mm	KM002	KM002	KM002	KM002	KM002	KM002	KM002	KM002	KM002
Jockey Wheel w/ Clamp, 200 mm	GA227	GA227	GA227	GA227	GA227	GA227	GA227	GA227	GA227
Prop Stand, 700 mm	KM006	KM006	KM006	KM006	KM006	KM006	KM006	KM006	KM006
Rear panel board - driveway	GA319	GA319	GA319	GA319	GA319	-	-	-	-
Shock Absorber, 750 kg	QS008	-	QS008	QS008	-	-	-	-	-
Shock Absorber Kit, 750 kg	GZ598	-	GZ598	GZ598	-	-	-	-	-
Gas Spring	QS009	QS009	QS009	QS009	QS009	-	-	-	-
Gas Spring, Fitting for Drawbar	GZ506	GZ506	GZ506	GZ506	GZ506	-	-	-	-
Gas Spring, Fitting for Chassis	GZ594	GZ594	GZ594	GZ594	GZ594	-	-	-	-



**N7-236 pro:** Ladder Rack and Side Rail Kit



**N7-236 pro:** Spare Wheel Support



**N7-236 2 pro:** Mesh Side Kit



**N7-236 pro:** Flat Cover



**N7-236 2 pro:** Side Extension Kit



**N7-236 2 pro:** High Cover 800 mm

Typesetting and printing errors can be expected. Reprint of material is forbidden. Vi20.en We reserve the right for price and construction changes without prior notice at any time.

Accessory	GN136	GN037	GN174	GN175
Name	N07-236 pro	N13-236 pro	N13-253 pro	N16-253 pro
Flat Cover, 520 g/m2, Grey	AP121	AP121	AP246	AP246
Flat Cover, 650 g/m2, Grey	AP042	AP042	AP247	AP247
Support Bar for Flat Cover, adjustable	GA257	GA257	GA257	GA257
High Cover w/ Strap Fasteners, 800 mm, 650 g/m2, blue	AP203	AP203	-	-
High Cover w/ Strap Fasteners, 800 mm, 520 g/m2, Grey	AP122	AP122	AP242	AP242
High Cover w/ Strap Fasteners, 800 mm, 650 g/m2, Grey	AP043	AP043	AP244	AP244
Hoops for High Cover, 800 mm	GA219	GA219	GA373	GA373
High Cover w/ Strap Fasteners, 1200 mm, 520 g/m2, Grey	AP135	AP135	AP243	AP243
High Cover w/ Strap Fasteners, 1200 mm, 650 g/m2, Grey	AP057	AP057	AP245	AP245
Hoops for High Cover, 1200 mm	GA220	GA220	GA374	GA374
Mesh Side Kit, 395 mm	GA035	GA035	GA376	GA376
Side Extension Kit, 370 mm	GA059	GA059	GA353	GA353
Ladder Rack and Side Rail Kit	GA022	GA022	GA352	GA352
Spare Wheel 165/70 R13, 4 x 100	KK026	-	-	-
Spare Wheel, 185 R14C, 5x112 mm	-	KK008	KK008	KK008
Spare Wheelsholder, side	GA099	-	-	-
Anti-theft, Box Lock w/ Padlock	AU121	AU121	AU121	AU121
Clamp for Jockey Wheel and Prop Stand, 200 mm	OK002	OK002	OK002	OK002
Jockey Wheel, 200 mm	KM002	KM002	KM002	KM002
Jockey Wheel w/ Clamp, 200 mm	GA227	GA227	GA227	GA227
Prop Stand, 700 mm	KM006	KM006	KM006	KM006
Rear panel board - driveway	GA319	GA319	GA319	GA319
Gas Spring, Fitting for Drawbar-Chassis	GZ898	GZ898	GZ898	GZ898
Set of shock absorbers for braked axles, AL-KO	GA354	GA355	GA355	GA356



**N13-236 pro:** Mesh Side Kit



**N13-236 pro:** Flat Cover



**N13-236 pro:** Side Extension Kit



**N13-236 pro:** High Cover 800 mm

Typesetting and printing errors can be expected. Reprint of material is forbidden. Vi20.en We reserve the right for price and construction changes without prior notice at any time.

# NORDICA



pic: N13-263 2 kps

## PROFESSIONAL TRAILERS WITH LARGE LOAD SPACE

### 1 Large load space thanks to openable and removable sideboards

The NORDICA series are trailers with wheels under the loading platform, so the load space is considerably larger than in trailers from other manufacturers. All boards can be opened or removed. NORDICA is the perfect solution for transporting pallets and other forklift-loaded cargo, and this on all four sides of the trailer - not just the rear.

### 2 Protection when loading with a forklift

NORDICA has a strong steel profile in the outer edge of the platform. This protects the floor when loading with a forklift.

### 3 Removable corner posts

All corner posts can be removed, making the trailer versatile and easy to adapt to different needs. When all the boards and posts are removed, you get a completely flat trailer for bulky loads.

### 4 Strong sideboards, strong locks

The sideboard panels are doubled in their upper half, making the sideboards more rigid and strong. In addition, Nordica is equipped with a double locking system at each corner. This is another feature of the trailer for professional and frequent use.

### 5 Stable driving, long load transport

NORDICA is easy to drive thanks to its unusually large loading platform and long drawbar and is clearly visible in the side mirrors. The long loading platform in combination with the openable (and removable - if necessary) front side enables even very long loads to be transported.

### 6 Easy load securing

NORDICA is fitted with flat and low holders for securing the load with straps. The floor (platform) is almost completely flat and loading with a forklift is safe as no part of the floor will be damaged.

### 7 Safety and comfort

The trailers feature KNOTT (in non-braked models) and AL-KO (in braked models) independent axle suspension with rubber elements to ensure safe and stable driving.

## NORDICA - TECHNICAL SPECIFICATIONS

Code	Model	Sides	Internal Dimensions (mm)			GROSS WEIGHT (kg)	PAYLOAD (kg)	Axles	Tipping	Brakes	Tyres
			Length	Width	Height						
GN124	N7-263 kps	Steel	2630	1450	400	750	496	1			165/70 R13
GN125	N7-263 2 kps	Steel	2630	1450	400	750	457	2			155/70 R13
GN131	N13-263 kps	Steel	2630	1450	400	1350	1018	1		✓	165R13C
GN232	N07-263 2 kps	Steel	2630	1450	400	750	397	2		✓	165/70 R13
GN156	N13-263 2 kps	Steel	2630	1450	400	1300	944	2		✓	165/70 R13
GN233	N7-320 2 kps	Steel	3200	1680	400	750	350	2			155/70 R13
GN235	N13-320 2 kps	Steel	3200	1680	400	1300	877	2		✓	165/70 R13
GN236	N16-320 2 kps	Steel	3200	1680	400	1600	1129	2		✓	165R13C
GN237	N20-320 2 kps	Steel	3200	1680	400	2000	1525	2		✓	165R13C
GN239	N13-420 2 kps	Steel	4200	2150	400	1300	708	2		✓	165/70 R13
GN242	N20-420 2 kps	Steel	4200	2150	400	2000	1342	2		✓	165R13C



www.neptun-anhaenger.com

Accessory	GN124	GN125	GN131	GN232	GN156
Name	N7-263 kps	N7-263 2 kps	N13-263 kps	N07-263 2 kps	N13-263 2 kps
Flat Cover, 520 g/m2, Grey	AP209	AP209	AP209	AP209	AP209
Flat Cover, 650 g/m2, Grey	AP210	AP210	AP210	AP210	AP210
Support Bar for Flat Cover, adjustable	GA257	GA257	GA257	GA257	GA257
High Cover w/ Strap Fasteners, 800 mm, 520 g/m2, Grey	AP221	AP221	AP221	AP221	AP221
High Cover w/ Strap Fasteners, 800 mm, 650 g/m2, Grey	AP222	AP222	AP222	AP222	AP222
Hoops for High Cover, 800 mm plate	GA311	GA311	GA311	GA311	GA311
High Cover w/ Strap Fasteners, 1200 mm, 520 g/m2, Grey	AP219	AP219	AP219	AP219	AP219
High Cover w/ Strap Fasteners, 1200 mm, 650 g/m2, Grey	AP220	AP220	AP220	AP220	AP220
Hoops for High Cover, 1200 mm plate	GA312	GA312	GA312	GA312	GA312
Mesh Side Kit, 395 mm	GA291	GA291	GA291	GA291	GA291
Side Extension Kit, 400 mm	GA290	GA290	GA290	GA290	GA290
Ladder Rack	GA292	GA292	GA292	GA292	GA292
Spare Wheel, 155/70 R13, 4x98 mm	-	KK014	-	-	-
Spare Wheel, 155/70 R13, 4x100 mm	-	KK022	-	-	-
Spare Wheel, 165/70x13, 4x100 mm	KK026	-	-	KK026	KK026
Spare Wheel, 165/70 R13, 4x98 mm	KK006	-	-	-	-
Spare Wheel, 165R13C, 5x112 mm	-	-	KK021	-	-
Spare Wheel Support, drawbar	GA293	GA293	GA159	GA159	GA159
Anti-theft, Box Lock w/ Padlock	AU121	AU121	AU121	AU121	AU121
Anti-theft, Steel Locking Shoe w/ Key	AU090	AU090	-	-	-
Anti-theft, Coupling Lock w/ Key	AU059	AU059	-	-	-
Clamp for Jockey Wheel and Prop Stand, 200 mm	OK002	OK002	OK002	OK002	OK002
Jockey Wheel, 200 mm	KM002	KM002	KM002	KM002	KM002
Jockey Wheel w/ Clamp, 200 mm	GA227	GA227	GA227	GA227	GA227
Support leg swingable	KM012	KM012	KM012	KM012	KM012
Hand crank for support leg	KM013	KM013	KM013	KM013	KM013
A set of support legs	GA431	GA431	GA431	GA431	GA431
Set of shock absorbers for braked axles, AL-KO	-	-	GA355	2 x GA354	2 x GA354
Aluminum rails	GA413	GA413	GA413	GA413	GA413



N13-263 2 kps: High Cover



N13-263 2 kps: Side Extension Kit



N07-263 2 kps: Spare Wheel Support



N13-263 kps: Mesh Side Kit



N13-263 2 kps: Ladder Rack



N07-263 2 kps: Flat Cover

Typesetting and printing errors can be expected. Reprint of material is forbidden. V1/2020 en We reserve the right for price and construction changes without prior notice at any time.

Typesetting and printing errors can be expected. Reprint of material is forbidden. V1/2020 en We reserve the right for price and construction changes without prior notice at any time.

Accessory	GN233	GN235	GN236	GN237	GN239	GN242
Name	N7-320 2 kps	N13-320 2 kps	N16-320 2 kps	N20-320 2 kps	N13-420 2 kps	N20-420 2 kps
Flat Cover, 520 g/m2, Grey	AP294	AP294	AP294	AP294	AP296	AP296
Flat Cover, 650 g/m2, Grey	AP295	AP295	AP295	AP295	AP297	AP297
Support Bar for Flat Cover, adjustable	GA426	GA426	GA426	GA426	GA427	GA427
High Cover w/ Strap Fasteners, 800 mm, 520 g/m2, Grey	AP290	AP290	AP290	AP290	-	-
High Cover w/ Strap Fasteners, 800 mm, 650 g/m2, Grey	AP291	AP291	AP291	AP291	-	-
Hoops for High Cover, 800 mm plate	GA418	GA418	GA418	GA418	-	-
High Cover w/ Strap Fasteners, 1200 mm, 520 g/m2, Grey	AP292	AP292	AP292	AP292	-	-
High Cover w/ Strap Fasteners, 1200 mm, 650 g/m2, Grey	AP293	AP293	AP293	AP293	-	-
Hoops for High Cover, 1200 mm plate	GA419	GA419	GA419	GA419	-	-
High Cover w/ Strap Fasteners, 1400 mm, 520 g/m2, Grey	-	-	-	-	AP288	AP288
High Cover w/ Strap Fasteners, 1400 mm, 650 g/m2, Grey	-	-	-	-	AP289	AP289
Hoops for High Cover, 1400 mm plate	-	-	-	-	GA425	GA425
Mesh Side Kit, 395 mm	GA421	GA421	GA421	GA421	-	-
Side Extension Kit, 400 mm	GA420	GA420	GA420	GA420	-	-
Spare Wheel, 155/70 R13, 4x98 mm	KK014	-	-	-	-	-
Spare Wheel, 155/70 R13, 4x100 mm	KK022	-	-	-	-	-
Spare Wheel, 165/70x13, 4x100 mm	-	KK026	-	-	KK026	-
Spare Wheel, 165R13C, 5x112 mm	-	-	KK021	KK021	-	KK021
Spare Wheel Support, drawbar	GA428	GA428	GA428	GA428	GA428	GA428
Anti-theft, Box Lock w/ Padlock	AU121	AU121	AU121	AU121	AU121	AU121
Anti-theft, Steel Locking Shoe w/ Key	AU090	-	-	-	-	-
Anti-theft, Coupling Lock w/ Key	AU059	-	-	-	-	-
Set of shock absorbers for braked axles, AL-KO	-	2 x GA354	2 x GA355	2 x GA355	2 x GA354	2 x GA355
Support leg swingable	KM012	KM012	KM012	KM012	KM012	KM012
Hand crank for support leg	KM013	KM013	KM013	KM013	KM013	KM013
A set of support legs	GA431	GA431	GA431	GA431	GA431	GA431

# TRAILWOOD



Pic. N7-253 tw

## VERSATILE PLYWOOD TRAILERS

### 1 Rigid and durable construction

High construction strength is provided by the welded drawbar, the cold-formed U-section frame side members and its 3 or 5 transverse beams.

### 2 Safety and comfort

The sagittal drawbar with reinforcement and independent KNOTT axle suspension ensure safe and stable driving.

### 3 Standard equipment

TRAILWOOD is equipped as standard with rails on sideboards, a front overboard rack and a support wheel (in single-axle models).

### 4 Easy load securing

The load securing strap (rope) holders are located in the corners of the loading platform. The holders are attached to the floor and to the frame, which makes it possible to secure the load much better. The rails can also be used to secure the load.

### 5 Light protection

The multifunction lights are mounted inside the rear beam and under the rear board so that they are protected from damage and from moisture and mud. The cable connectors are protected in the best possible way and ensure many years of maintenance-free operation.

### 6 Easy unloading

All TRAILWOOD models have a tilting loading platform. This makes the load easy to remove from the trailer.



N13-320 2 kps: Mesh Side Kit



N13-320 2 kps: Side Extension Kit



N13-320 2 kps: Flat Cover



N18-426 2 kps: High Cover 1400mm



N20-320 2 kps: Spare Wheel Support



N7-263 kps: Set of Support Legs

Typesetting and printing errors can be expected. Reprint of material is forbidden. V1/20.en We reserve the right for price and construction changes without prior notice at any time.

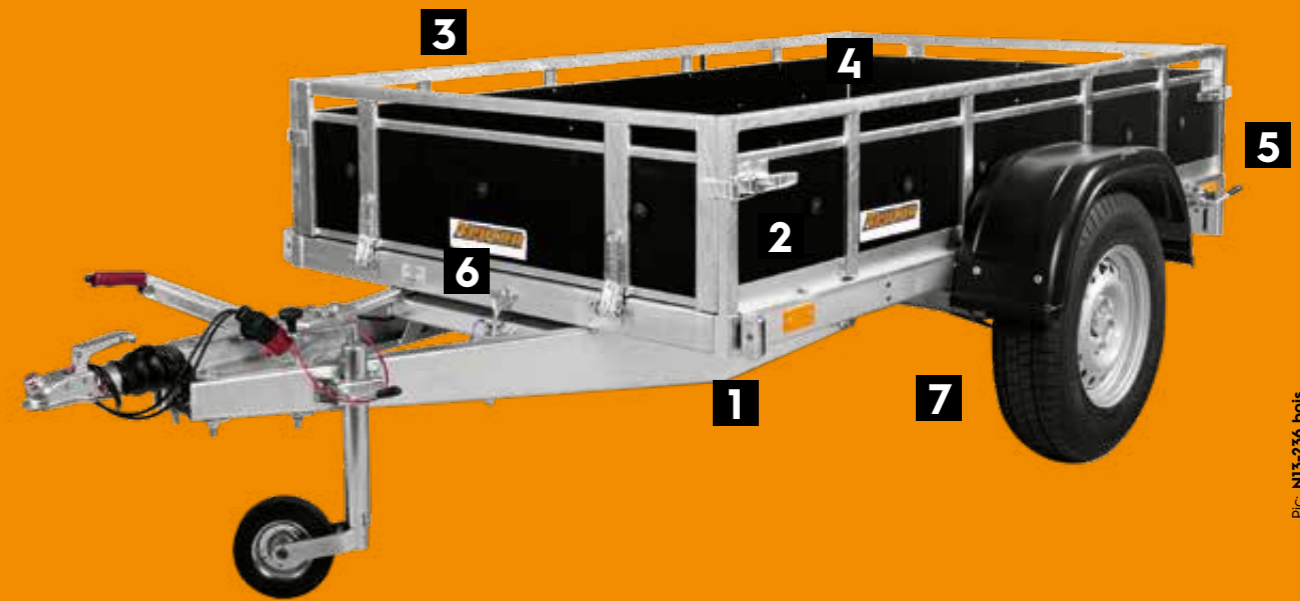
## TRAILWOOD - TECHNICAL SPECIFICATIONS

Code	Model	Sides	Internal Dimensions (mm)			GROSS WEIGHT (kg)	PAYLOAD (kg)	Axles	Tipping	Brakes	Tyres
			Length	Width	Height						
GN078	N7-202 tw	Wood	2020	1250	355	750	588	1	√		155/70 R13
GN079	N7-236 tw	Wood	2360	1250	355	750	566	1	√		165/70 R13
GN115	N7-253 tw	Wood	2530	1250	355	750	563	1	√		165/70 R13
GN081	N7-253 2 tw	Wood	2530	1250	355	750	513	2			155/70 R13

Typesetting and printing errors can be expected. Reprint of material is forbidden. V1/20.en We reserve the right for price and construction changes without prior notice at any time.

Accessory	GN078	GN079	GN115	GN081
Name	N7-202 tw	N7-236 tw	N7-253 tw	N7-253 2 tw
Flat Cover m/ Velcro, 520 g/m2, Grey	AP176	AP177	AP178	AP178
Flat Cover, 520 g/m2, Grey	AP173	AP174	AP175	AP175
Flat Cover m/ Velcro, 650 g/m2, Grey	AP192	AP194	AP197	AP197
Flat Cover, 650 g/m2, Grey	AP193	AP195	AP196	AP196
Support Bar for Flat Cover, adjustable	GA257	GA257	GA257	GA257
High Cover w/ Strap Fasteners, 950 mm, 520 g/m2, Grey	AP156	AP157	AP200	AP200
High Cover w/ Strap Fasteners, 950 mm, 650 g/m2, Grey	AP113	AP114	AP201	AP201
Hoops for High Cover, 950 mm	GA215	GA217	GA263	GA263
Mesh Side Kit, 500 mm	GAI75	GAI76	GAI77	GAI77
Ladder Rack	GAI78	GAI78	GAI78	GAI78
Spare Wheel, 155/70 R13, 4x98 mm	KK014	-	-	KK014
Spare Wheel, 155/70 R13, 4x100 mm	KK022	-	-	KK022
Spare Wheel, 165/70 R13, 4x98 mm	-	KK006	KK006	-
Spare Wheel, 165/70 R13, 4x100 mm	-	KK026	KK026	-
Spare Wheelsholder, front	GAI87	GAI87	GAI87	GAI87
Anti-theft, Steel Locking Shoe w/ Key	AU090	AU090	AU090	AU090
Anti-theft, Box Lock w/ Padlock	AU121	AU121	AU121	AU121
Anti-theft, Coupling Lock w/ Key	AU059	AU059	AU059	AU059
Clamp for Jockey Wheel and Prop Stand, 200 mm	OK002	OK002	OK002	OK002
Jockey Wheel, 200 mm	KM002	KM002	KM002	KM002
Jockey Wheel w/ Clamp, 200 mm	GA227	GA227	GA227	GA227
Prop Stand, 700 mm	KM006	KM006	KM006	KM006
Rear panel board - driveway	GA322	GA322	GA322	-

# BOIS



PIC: N13-236 bois

## PROFESSIONAL PLYWOOD TRAILERS FOR VARIOUS APPLICATIONS

### 1 Rigid and durable construction

High constructional strength is provided by the welded frame and drawbar, the cold-formed U-section frame side members and its three to five transverse beams.

### 2 Two in one

The sideboards can be easily removed. The user gets a flat platform for transporting larger loads.

### 3 Standard equipment

BOIS is equipped as standard with rails on sideboards, an overboard rack and a support wheel.

### 4 Easy load securing

The load securing strap (rope) holders are located in the corners of the loading platform. The holders are attached to the floor and to the frame, which makes it possible to secure the load much better. The rails can also be used to secure the load.

### 5 Light protection

The multifunction lights are mounted inside the rear beam and under the rear board so that they are protected from damage and from moisture and mud. The cable connectors are protected in the best possible way and ensure many years of maintenance-free operation.

### 6 Easy unloading

All BOIS models have a tilting loading platform. This makes the load easy to remove from the trailer (a gas spring can be fitted to hold the loading platform up).

### 7 Safety and comfort

The trailers use ALKO independent axle suspension with rubber elements to ensure safe and stable driving.

## NORDICA - TECHNICAL SPECIFICATIONS

Code	Model	Sides	Internal Dimensions (mm)			GROSS WEIGHT (kg)	PAYLOAD (kg)	Axles	Tipping	Brakes	Tyres
			Length	Width	Height						
GN127	N13-236 bois	Wood	2360	1290	370	1350	1070	1	√	√	185 R14C
GN134	N16-236 bois	Wood	2360	1290	370	1600	1315	1	√	√	185 R14C



N7-253 2 tw: Back



N7-253 tw: Flat Cover



N7-236 tw: Mesh Side Kit



N7-202 tw: High Cover

Typesetting and printing errors can be expected. Reprint of material is forbidden. V1/20.en We reserve the right for price and construction changes without prior notice at any time.

Typesetting and printing errors can be expected. Reprint of material is forbidden. V1/20.en We reserve the right for price and construction changes without prior notice at any time.

Accessory	GN127	GN134
Name	N13-236 bois	N16-236 bois
Flat Cover m/ Velcro, 520 g/m2, Grey	AP250	AP250
Flat Cover, 520 g/m2, Grey	AP213	AP213
Flat Cover m/ Velcro, 650 g/m2, Grey	AP251	AP251
Flat Cover, 650 g/m2, Grey	AP214	AP214
Support Bar for Flat Cover, adjustable	GA257	GA257
High Cover w/ Strap Fasteners, 800 mm, 650 g/m2, blue	AP203	AP203
High Cover w/ Strap Fasteners, 800 mm, 520 g/m2, Grey	API22	API22
High Cover w/ Strap Fasteners, 800 mm, 650 g/m2, Grey	AP043	AP043
Hoops for High Cover, 800 mm	GA345	GA345
High Cover w/ Strap Fasteners, 1200 mm, 520 g/m2, Grey	API35	API35
High Cover w/ Strap Fasteners, 1200 mm, 650 g/m2, Grey	AP057	AP057
Hoops for High Cover, 1200 mm	GA338	GA338
Mesh Side Kit, 395 mm	GA035	GA035
Ladder Rack	GA301	GA301
Spare Wheel, 185 R14C, 5x112 mm	KK008	KK008
Anti-theft, Box Lock w/ Padlock	AU121	AU121
Clamp for Jockey Wheel and Prop Stand, 200 mm	OK002	OK002
Jockey Wheel, 200 mm	KM002	KM002
Jockey Wheel w/ Clamp, 200 mm	GA227	GA227
Prop Stand, 700 mm	KM006	KM006
Rear panel board - driveway	GA323	GA323
Set of shock absorbers for braked axles, AL-KO	GA355	GA356
Gas Spring, Fitting for Drawbar-Chassis	GZ898	GZ898



**N13-236 bois:** Chassis



**N16-236 bois:** High Cover



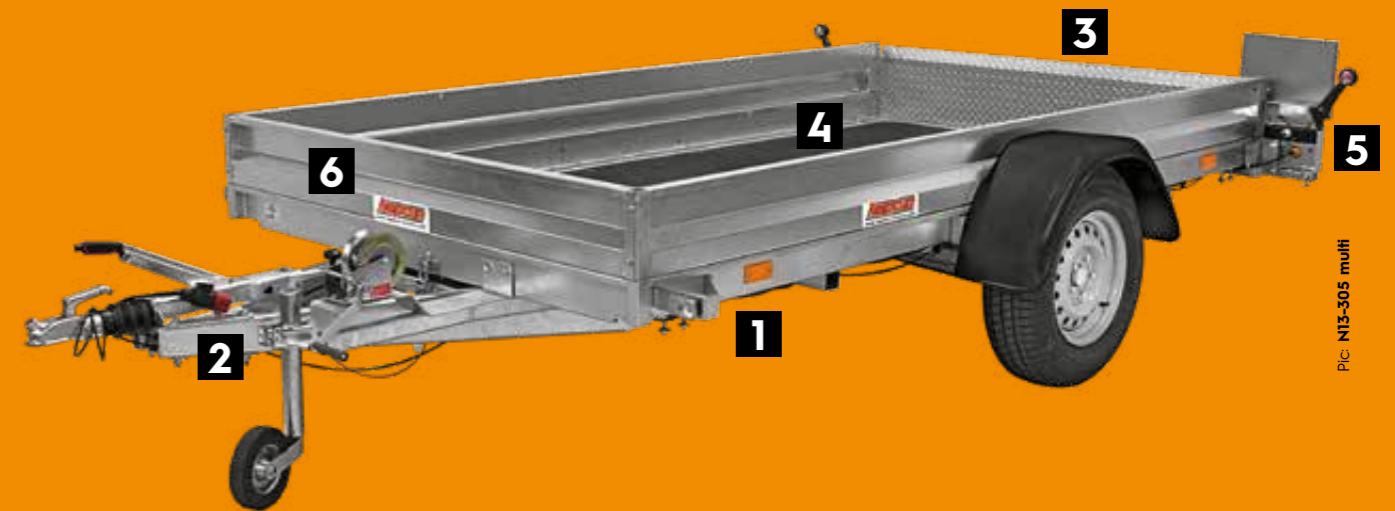
**N16-236 bois:** Flat Cover



**N13-236 bois:** Mesh Side Kit

Typesetting and printing errors can be expected. Reprint of material is forbidden. V1/20.en  
We reserve the right for price and construction changes without prior notice at any time.

# MULTI



Pic: N13-305 multi

## MULTIFUNCTION PLATFORM

### 1 Rigid and durable construction

High construction strength is provided by the welded frame and drawbar, the cold-formed U-section frame side members and its three to five transverse beams.

### 2 Safety and comfort

The sagittal drawbar with reinforcement and KNOTT (in non-braked models) and AL-KO (in braked models) independent axle suspension with rubber elements to ensure safe and stable driving.

### 3 Ramps

The optionally purchased rear board can be used as a ramp. This is made of 3 mm thick hot-dip galvanised corrugated sheet metal.

### 4 Easy load securing

The trailers are fitted with holders which extend from the floor for securing the load with straps.

### 5 Light protection

The tail lights are positioned on the side supports to enable the trailer to be loaded directly, without the use of ramps, when the platform is tilted back. The cable connectors are protected in the best available way and ensure many years of maintenance-free operation.

### 6 Easy loading and unloading

The trailers have a tilting loading platform that allows unloading without unhooking the trailer. The fitting of a gas spring stabilises the tilting of the floor during loading and unloading.

### 7 Optional accessories are also available for the trailers:

- strong and durable longitudinal sideboards, 20 cm high, made of 1.5 mm thick hot-dip galvanised sheet metal,
- ramp, which is also the rear board, made of 3 mm thick hot-dip galvanised corrugated sheet metal,
- mesh sideboards, 80 cm high, which can be attached to either the platform or the solid sideboards,
- winch mounted at the front of the trailer for pulling heavy loads,
- screw jack for the tilting platform.

## MULTI - TECHNICAL SPECIFICATIONS

Code	Model	Sides	Internal Dimensions (mm)			GROSS WEIGHT (kg)	PAYLOAD (kg)	Axles	Tipping	Brakes	Tyres
			Length	Width	Height						
GN151	N7-255 multi	-	2550	1660	100	750	553	1	√		155/70 R13
GN152	N7-305 multi	-	3050	1660	100	750	532	1	√		155/70 R13
GN155	N13-305 multi	-	3050	1660	100	1350	1046	1	√	√	185 R14C

Typesetting and printing errors can be expected. Reprint of material is forbidden. V1/20.en  
We reserve the right for price and construction changes without prior notice at any time.

Accessory	GN151	GN152	GN155
Name	N7-255 multi	N7-305 multi	N13-305 multi
Mesh Side Kit, 800 mm	GA317	GA318	GA318
Side Extension Kit, 200 mm	GA315	GA316	GA316
Spare Wheel, 155/70 R13, 4x98 mm	KK014	KK014	-
Spare Wheel, 155/70 R13, 4x100 mm	KK022	KK022	-
Spare Wheel, 185 R14C, 5x112 mm	-	-	KK008
Spare Wheel Support, drawbar	GA159	GA159	GA159
Anti-theft, Steel Locking Shoe w/ Key	AU090	AU090	-
Anti-theft, Box Lock w/ Padlock	AU121	AU121	AU121
Anti-theft, Coupling Lock w/ Key	AU059	AU059	-
Clamp for Jockey Wheel and Prop Stand, 200 mm	OK002	OK002	OK002
Jockey Wheel, 200 mm	KM002	KM002	KM002
Jockey Wheel w/ Clamp, 200 mm	GA227	GA227	GA227
Loading Ramp, 300 mm	GA313	GA313	GA313
Winch, 1100 kg	QS013	QS013	QS013
Winch Stand	GA314	GA314	GA314
Roller bracket to the winch	GA392	GA392	GA392
Jack-skrue	GA391	GA391	GA391
Jack-skrue 700 kg	GA391A	GA391A	GA391A
Shock Absorber Kit, 750 kg	GZ598	GZ598	-
Shock Absorber, 750 kg	QS008	QS008	-
Set of shock absorbers for braked axles, AL-KO	-	-	GA355

# MULTI



PIC: N13-380 m18

## TRAILER FOR TRANSPORTING MACHINES, QUAD BIKES OR SNOWMOBILES

- Large loading area.
- High construction strength is provided by the fully welded frame, cold-formed frame side members and transverse beams as well as the strong welded sigittal drawbar. All components hot-dip galvanised.
- The chassis (in N7-380 m18r and N7-350 CT models) has a KNOTT axle and leaf springs and shock absorber to ensure a safe and stable driving.
- AL-KO independent axle suspension ensures safe and stable driving (in models with brakes).
- The loading platform is tiltable and fitted with a gas spring (in the N7-350 CT model) and a screw jack in other models.
- The rear board is also a ramp.
- The sideboards are made of high-quality galvanised sheet metal. They are profiled for high rigidity, impact resistance and aesthetics.
- The front and rear boards are openable.
- The sideboards can easily be removed. The user gets a flat platform for transporting larger loads.
- The load strap (rope) holders are located in the corners and in the middle of the loading platform. The holders are attached to the floor and to the welded frame, which makes it possible to secure the load much better.
- The multifunctional lights are mounted inside the rear beam. This protects them from damage, moisture and mud. The cable connectors are protected in the best possible way and ensure many years of maintenance-free operation.
- Standard trailer equipment includes:
  - In 380 m18 models - a manoeuvring wheel with clamp, two clamps at the rear of the trailer, a screw jack, in addition, in models with brake - wheel chocks
  - In the N7-350 CT model - a manoeuvring wheel with clamp, gas spring and winch.
  - Additional optional accessories are available for the trailers listed in the table.



N13-305 multi: Chassis



N13-305 multi: Back



N13-305 multi: Side Extension Kit



N13-305 multi: Spare Wheel Support



N13-305 multi: Mesh Side Kit



N7-305 multi: Tipping with loading ramp

## MULTI - TECHNICAL SPECIFICATIONS

Code	Model	Sides	Internal Dimensions (mm)			GROSS WEIGHT (kg)	PAYLOAD (kg)	Axles	Tipping	Brakes	Tyres
			Length	Width	Height						
GN164	N7-350 CT	Steel	3450	1500	285	750	475	spring	√		155/70 R13
GN222	N7-380 m18r	Steel	3800	1800	250	750	408	spring	√		165/70 R13
GN223	N13-380 m18	Steel	3800	1800	250	1350	951	1	√	√	185 R14C
GN224	N15-380 m18	Steel	3800	1800	250	1500	1093	1	√	√	185 R14C
GN225	N16-380 m18	Steel	3800	1800	250	1600	1159	1	√	√	185 R14C
GN226	N18-380 m18	Steel	3800	1800	250	1800	1350	1	√	√	185 R14C

Accessory	GN222	GN223	GN224	GN225	GN226	GN164
Name	N7-380 m18r	N13-380 m18	N15-380 m18	N16-380 m18	N18-380 m18	N7-350 CT
High Cover w/ Strap Fasteners, 1200 mm, 520 g/m2, Grey	AP279	AP279	AP279	AP279	AP279	AP239
High Cover w/ Strap Fasteners, 1200 mm, 650 g/m2, Grey	AP280	AP280	AP280	AP280	AP280	AP256
Hoops for High Cover, 1200 mm pipe	GA405	GA405	GA405	GA405	GA405	GA349
Spare Wheel, 185 R14C, 5x112 mm	-	KK008	KK008	KK008	KK008	-
Spare Wheel, 165/70 R13, 4x98 mm	KK006	-	-	-	-	-
Spare Wheel, 165/70 R13, 4x100 mm	KK026	-	-	-	-	-
Spare Wheel, 155/70 R13, 4x98 mm	-	-	-	-	-	KK014
Spare Wheel, 155/70 R13, 4x100 mm	-	-	-	-	-	KK022
Spare Wheelholder, side	-	-	-	-	-	GA360
Spare Wheelholder, under	GA406	GA406	GA406	GA406	GA406	-
Driving stabilizer	-	GA402	GA403	GA403	GA403	-
Anti-theft, Box Lock w/ Padlock	AU121	AU121	AU121	AU121	AU121	AU121
Anti-theft, Steel Locking Shoe w/ Key	AU090	-	-	-	-	AU090
Anti-theft, Coupling Lock w/ Key	AU059	-	-	-	-	AU059
Set of shock absorbers for braked axles, AL-KO	-	GA355	GA355	GA356	GA356	-
Jockey Wheel, 200 mm	-	-	-	-	-	KM002
Clamp for Jockey Wheel and Prop Stand, 200 mm (fi48)	OK002	OK002	OK002	OK002	OK002	OK002
Jockey Wheel w/ Clamp, 200 mm	-	-	-	-	-	GA227
Prop Stand, 700 mm (fi48)	KM006	KM006	KM006	KM006	KM006	KM006
Design for the transport of boats	-	-	-	-	-	QS011
Additional side supports for GA369	-	-	-	-	-	GL057
Winch base	-	-	-	-	-	GA369
Gas Spring	-	-	-	-	-	GA370
Winch w/ Belt , 450 kg	-	-	-	-	-	QS009



**N7-350 CT:** Chasis



**N7-350 CT:** Gas Spring



**N7-380 m18r:** Front



**N13-380 m18:** High Cover 1200 mm



**N13-380 m18:** Back



**N7-380 m18r:** Screw Jack

# MULTI



PIC N.-380 m18

## N.-380 M18 VER. A TRAILER FOR TRANSPORTING MACHINES, QUAD BIKES OR SNOWMOBILES

- Large loading area of 3800 x 1800 mm.
- The trailer loading platform is tiltable and fitted with a powerful 700 kg screw jack.
- The trailer is fitted with a 15 mm thick non-slip plywood floor.
- The rear board is also a ramp.
- The 250 mm sideboards are made of high-quality galvanised sheet metal. They are profiled for high rigidity, impact resistance and aesthetics. The front and rear boards are openable. The sideboards can be easily removed. The user gets a flat platform for transporting larger loads.
- Load securing strap (rope) holders are located in the corners (4 pieces) and in the middle of the loading platform (8 pieces). The holders are attached to the floor and welded frame, which makes it possible to secure the load much better.
- High construction strength is provided by a fully welded frame, cold-formed frame side members and 4 transverse beams as well as a strong welded sagittal drawbar. All components are hot-dip galvanised.
- The multifunctional lights are mounted inside the rear beam. This protects them from damage, moisture and mud. The cable connectors are protected in the best possible way and ensure many years of maintenance-free operation.
- The trailer is ideally suited for transporting machines, quad bikes or snowmobiles.
- In braked models a safe and stable driving is ensured by AL-KO independent axle suspension. In the non-braked N7-380 m18r version A trailer, leaf springs and shock absorbers perform this function.
- The standard equipment of the trailers includes a manoeuvring wheel with clamp, two clamps at the rear of the trailer, a screw jack, wheel chocks (in models with brakes).
- For trailers there are additional optional accessories available listed in the table.

## TECHNICAL SPECIFICATIONS

Code	Model	Sides	Internal Dimensions (mm)			GROSS WEIGHT (kg)	PAYLOAD (kg)	Axles	Tipping	Brakes	Tyres
			Length	Width	Height						
GN222A	N7-380 m18r ver. A	Steel	3800	1800	250	750	380	1	√		165/70 R13
GN223A	N13-380 m18 ver. A	Steel	3800	1800	250	1350	917	1	√	√	185 R14C
GN224A	N15-380 m18 ver. A	Steel	3800	1800	250	1500	1061	1	√	√	185 R14C
GN225A	N16-380 m18 ver. A	Steel	3800	1800	250	1600	1135	1	√	√	185 R14C
GN226A	N18-380 m18 ver. A	Steel	3800	1800	250	1800	1315	1	√	√	185 R14C

Accessory	GN222A	GN223A	GN224A	GN225A	GN226A
<b>Name</b>	<b>N7-380 m18r ver. A</b>	<b>N13-380 m18 ver. A</b>	<b>N15-380 m18 ver. A</b>	<b>N16-380 m18 ver. A</b>	<b>N18-380 m18 ver. A</b>
High Cover w/ Strap Fasteners, 1200 mm, 520 g/m2, Grey	AP279	AP279	AP279	AP279	AP279
High Cover w/ Strap Fasteners, 1200 mm, 650 g/m2, Grey	AP280	AP280	AP280	AP280	AP280
Hoops for High Cover, 1200 mm pipe	GA405	GA405	GA405	GA405	GA405
Spare Wheel, 185 R14C, 5x112 mm	-	KK008	KK008	KK008	KK008
Spare Wheel, 165/70 R13, 4x98 mm	KK006	-	-	-	-
Spare Wheel, 165/70 R13, 4x100 mm	KK026	-	-	-	-
Spare Wheelholder, under	GA406	GA406	GA406	GA406	GA406
Driving stabilizer	-	GA402	GA403	GA403	GA403
Anti-theft, Box Lock w/ Padlock	AU121	AU121	AU121	AU121	AU121
Anti-theft, Steel Locking Shoe w/ Key	AU090	-	-	-	-
Anti-theft, Coupling Lock w/ Key	AU059	-	-	-	-
Wheel wedges	AU123	AU123	AU123	AU123	AU123
Wheel wedge handle	AU123A	AU123A	AU123A	AU123A	AU123A
Set of shock absorbers for braked axles, AL-KO	-	GA355	GA355	GA356	GA356
Clamp for Jockey Wheel and Prop Stand, 200 mm (fi48)	OK002	OK002	OK002	OK002	OK002
Prop Stand, 700 mm (fi48)	KM006	KM006	KM006	KM006	KM006
Additional supports for the rear driveway	GA444	GA444	GA444	GA444	GA444



**N7-380 m18r ver A:** Frame With Spring



**N13-380 m18 ver A:** Rear Side - Ramp



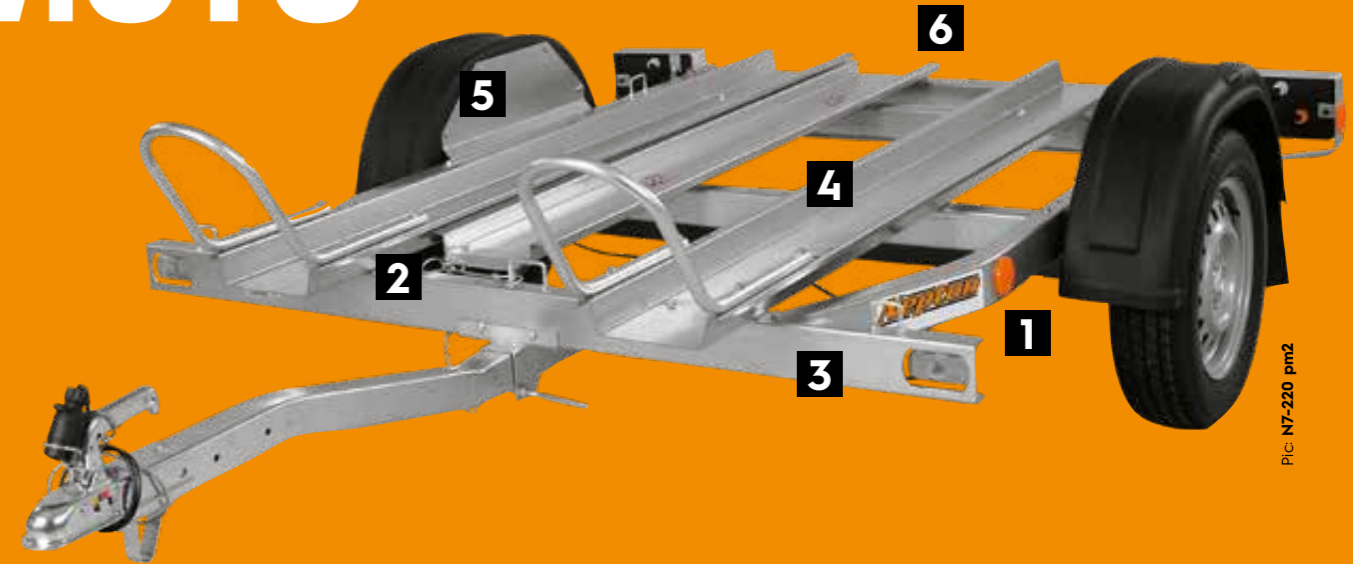
**N18-380 m18 ver A:** Skrew Jack 700 kg



**N18-380 m18 ver A:** Side

Typesetting and printing errors can be expected. Reprint of material is forbidden. V120.en We reserve the right for price and construction changes without prior notice at any time.

# MOTO



Pic: N7-220 pm2

## TRAILER FOR TRANSPORTING MOTORBIKES

### 1 Safety and comfort

KNOTT (in non-braked models) and AL-KO (on braked models) independent axle suspension to ensure safe and stable driving.

### 2 Easy load securing

The trailer has tie-down strap holders to secure the motorbike during transport and adjustable locks to secure the front wheels of the vehicle.

### 3 Light protection

The position lights have been integrated into the front beam or are on brackets and the rear multifunction lights are in a steel housing so that they are all protected from mechanical damage.

### 4 Transporting motorbikes

PM2 and PM3 trailers are fitted as standard with two or three rails with U-bolts for securing the front wheels of motorbikes and one overrun chute. Other models with plywood floor have 2 motorbike racks and a ramp as standard.

### 5 Protection against dirt

Integrated mudguards protect the transported motorbikes from dirt.

### 6 Easy loading and unloading

The trailers have a tilting loading platform that allows unloading without unhooking the trailer. In models with a plywood floor a standard screw jack assists with loading. In other models a gas spring can be used as an additional option to stabilise the tilting of the floor during loading and unloading.

## MOTO - TECHNICAL SPECIFICATIONS

Code	Model	Sides	Internal Dimensions (mm)			GROSS WEIGHT (kg)	PAYLOAD (kg)	Axles	Tipping	Brakes	Tyres
			Length	Width	Height						
GN064	N6-220 pm2	-	2050-2250	1300	310	750	618	1	√		155/70 R13
GN202	N7-221 pm3	-	2050-2250	1485	310	750	597	1	√		155/70 R13
GN249	N10-255 moto	-	2550	1660	440	1000	706	1	√	√	185/70 R13
GN250	N13-255 moto	-	2550	1660	440	1350	1028	1	√	√	185 R14C

Typesetting and printing errors can be expected. Reprint of material is forbidden. V120.en We reserve the right for price and construction changes without prior notice at any time.

Accessory	GN064	GN202	GN249	GN250
Name	N6-220 pm2	N7-221 pm3	N10-255 moto	N13-255 moto
High Cover w/ Strap Fasteners, 1500 mm, 520 g/m2, Grey	-	-	AP298	AP298
High Cover w/ Strap Fasteners, 1500 mm, 650 g/m2, Grey	-	-	AP299	AP299
Hoops for High Cover, 1500 mm	-	-	GA441	GA441
Spare Wheel, 155/70 R13, 4x98 mm	KK014	KK014	-	-
Spare Wheel, 155/70 R13, 4x100 mm	KK022	KK022	-	-
Spare Wheel, 185/70 R13, 4x100 mm	-	-	KK007	-
Spare Wheel, 185 R14C, 5x112 mm	-	-	-	KK008
Spare Wheel Support, bottom	GA173	GA390	-	-
Spare Wheel Support, drawbar	-	-	GA159	GA159
Anti-theft, Steel Locking Shoe w/ Key	AU090	AU090	-	-
Anti-theft, Box Lock w/ Padlock	AU121	AU121	AU121	AU121
Anti-theft, Coupling Lock w/ Key	AU059	AU059	-	-
Clamp for Jockey Wheel and Prop Stand, 200 mm	OK002	OK002	OK002	OK002
Jockey Wheel, 200 mm	KM002	KM002	KM002	KM002
Jockey Wheel w/ Clamp, 200 mm	GA227M	GA227M	GA227	GA227
Prop Stand, 700 mm	KM006	KM006	-	-
Channel w/ Bracket, 2200 x 175 mm	GZ552	GZ552	-	-
Loading Ramp, 1680 x 180 mm	GA171	GA171	-	-
Gas Spring, Fitting for Drawbar-Chassis	GA371	GA371	-	-
Set of shock absorbers for braked axles, AL-KO	-	-	GA355	GA355
Motor stand set for N_-255 moto	-	-	GA437	GA437
Motor stand	-	-	GA436	GA436



**N13-255 moto:** Loading Ramp



**N13-255 moto:** High Cover 800 mm



**N13-255 moto:** Motor Stand



**N7-220 pm2:** Back



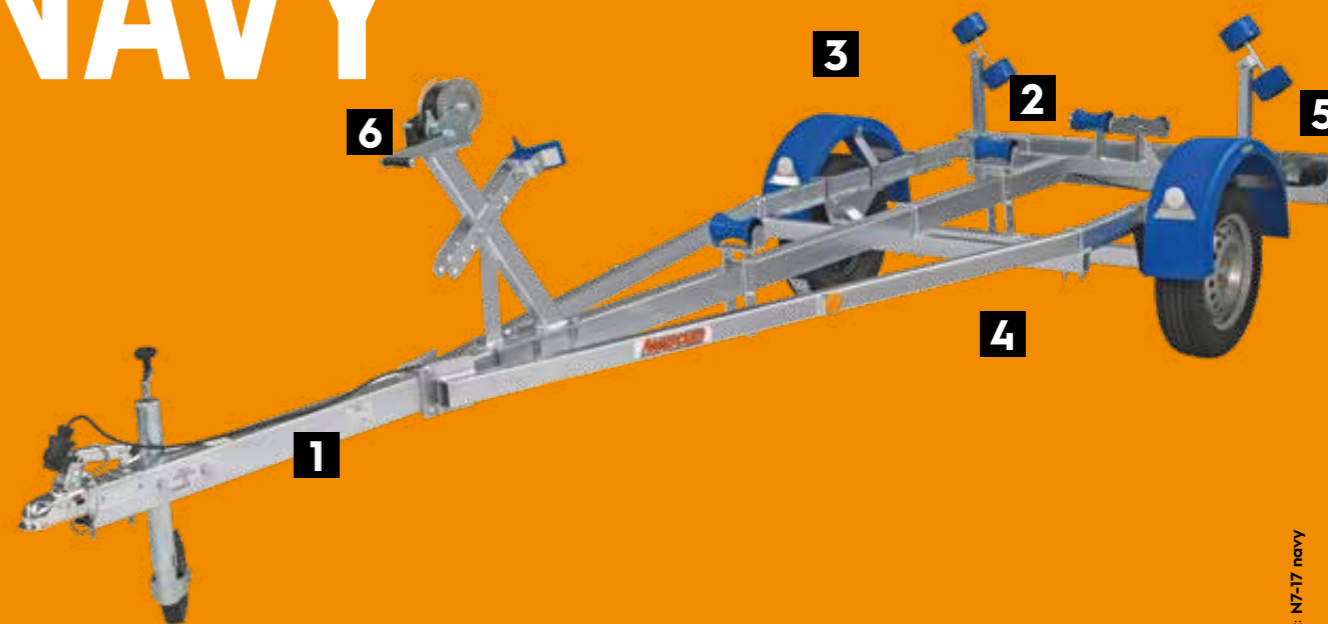
**N7-220 pm2:** Chassis



**N7-220 pm2:** Spare Wheel Support

Typesetting and printing errors can be expected. Reprint of material is forbidden. V120.en We reserve the right for price and construction changes without prior notice at any time.

# NAVY



Pic: N7-17 navy

## N7-17 AND N7-12 NON-BRAKED TRAILERS WITH ADJUSTABLE LENGTH FOR TRANSPORTATION BOATS, JET SKIS AND CANOES

### 1 For boats from 8 to 17 feet in length

NAVY trailers have a special design so that the length of the trailer can be adjusted to suit boats between 8 and 17 feet. The N7-17 kj model has a special design for transporting canoes having eight transport positions with a length of 2400-5000 mm, a width of 715-800 mm and a height of up to 445 mm. The N7-12 js model has a special design on supports (fabric-coated with dimensions of 2000 mm x 130 mm) for transporting a jet ski or boat.

### 2 Easy boat loading and unloading

The N7-17 NAVY rear horizontal rollers of the are located on the cradle, this allows the boat to be smoothly slid off the trailer or pulled onto the trailer. The pressure of the boat on the cradle is reduced, the risk of damage to the boat is negligible.

### 3 Optimal weight distribution

The positions of the N7-17 NAVY side supports and the cradle are fully adjustable. This ensures optimum pressure on the rollers, made of non-marking plastic, against the sides and keel. The addition - at the customer's request - of one side support per side increases the reliability of the boat transport.

### 4 Long service life

NAVY trailers are made from high-quality steel and are bath-galvanised. This ensures that the trailer will last for many years. Fitted with KNOTT independent watertight axle suspension to ensure safe and stable driving.

### 5 Easy and quick rear beam operation

The rear light bar can be removed quickly and easily.

### 6 Standard equipment

Trailers are equipped with a support wheel as standard, while individual versions have:

- navy and jet ski - 450 kg winch and winch support,
- navy - 3 horizontal rollers, 2 adjustable side supports,
- jet ski - 2 side skids (fabric-coated) with supports, horizontal roller,
- kj - design for transporting canoes.

## NAVY - TECHNICAL SPECIFICATIONS

Code	Model	Sides	Internal Dimensions (mm)			GROSS WEIGHT (kg)	PAYLOAD (kg)	Axles	Tipping	Brakes	Tyres
			Length	Width	Height						
GN195	N7-12 navy	-	2500-4000	935-1490	400	600	468	1			155/70 R13
GN243	N7-12 js (jet ski)	-	2500-4000	max 970	400	600	446	1			155/70 R13
GN034	N7-17 navy	-	3100-5500	990-1150	400	750	583	1			155/70 R13
GN248	N7-17 kj	-	2400-5000	max 2x800	4x445	750	539	1			155/70 R13
GN231	N13-20 navy	-	4120-6045	1510-1670	400	1350	1031	1	√		185 R14C

# NAVY



Pic: N13-20 navy

## N13-20 NAVY TRAILER WITH BRAKE AND ADJUSTABLE LENGTH FOR TRANSPORT

- The trailer has a special design so that the length of the trailer can be adjusted to suit boats between 455 and 610 cm (15 and 20 feet).
- The trailer is available in registration versions with a GVW of 1000 kg, 1200 kg, 1300 kg, 1350 kg.
- The rear horizontal rollers are located on the cradle - this allows the boat to be smoothly slid off the trailer or pulled onto the trailer.
- The positions of the side supports and cradle are fully adjustable. This ensures optimum pressure on the rubber rollers against the sides and keel.
- Additional load securing holders welded on the rear and front beams.
- Axle position can be adjusted.
- Made of high-quality hot-dip galvanised steel. This ensures a long service life for the trailer.
- AL-KO independent watertight axle suspension ensures safe and stable driving.
- The rear light bar can be easily and quickly removed.
- Fitted with a 1100 kg winch, winch support, horizontal rollers on the cradle, 3 horizontal rollers and 4 adjustable side supports.
- The multifunction lights are housed in the light panel so they are protected from moisture and dirt.
- For the N13-20 NAVY trailer there are additional optional accessories listed in the table.



N13-20 navy: Loading Area



N13-20 navy: Winch Support



N13-20 navy: Rear Lighting Beam



Accessory	GN195	GN243	GN034	GN248	GN231
Name	N7-12 navy	N7-12 js (jet ski)	N7-17 navy	N7-17 kj	N13-20 navy
Spare Wheel, 155/70 R13, 4x98 mm	KK014	KK014	KK014	KK014	-
Spare Wheel, 155/70 R13, 4x100 mm	KK022	KK022	KK022	KK022	-
Spare Wheel, 185 R14C, 5x112 mm	-	-	-	-	KK008
Spare Wheel Support	GA388	GA388	GA117	GA117	GA407
Anti-theft, Steel Locking Shoe w/ Key	AU090	AU090	AU090	AU090	-
Anti-theft, Box Lock w/ Padlock	AU121	AU121	AU121	AU121	AU121
Anti-theft, Coupling Lock w/ Key	AU059	AU059	AU059	AU059	-
Clamp for Jockey Wheel and Prop Stand, 200 mm	OK002	OK002	OK002	OK002	OK002
Jockey Wheel, 200 mm	KM002	KM002	KM002	KM002	-
Jockey Wheel w/ Clamp, 200 mm	GA227	GA227	GA227	GA227	-
Prop Stand, 700 mm	KM006	KM006	KM006	KM006	KM006
Flat side support (1 szt - rubber skid 292x100)	GA394	GA394	GA395	-	GA412
Set of side supports (2 szt - carpet skid 2000x122)	GA430	GA430	-	-	-
Keel Roll Kit incl. Support	-	-	GZ886	-	-
Double Side Rolls Kit incl. Support and Clamp	-	-	GZ889	-	-
Platform	GA433	GA433	GA432	-	GA434
Higher winch base	-	-	GA429	-	-
A set of sheaths (16 pcs) to protect the kayak	-	-	GA435	GA435	-
Construction for transporting kayaks - set	-	-	GA443	-	-
Winch w/ Belt, 50 mm x 7 m, 450 kg	QS011	QS011	QS011	-	-
Winch, 1100 kg	-	-	-	-	QS018
Set of shock absorbers for braked axles, AL-KO	-	-	-	-	GA355
Wheel wedges	-	-	-	-	AU123
Wheel wedge handle	-	-	-	-	AU123A



N7-12 navy: Spare Wheel Support



N7-12 js: Side Support Flat



N7-17 kj: Construction for transporting kayaks



N7-17 navy: Platform



N7-17 navy: Spare Wheel Support

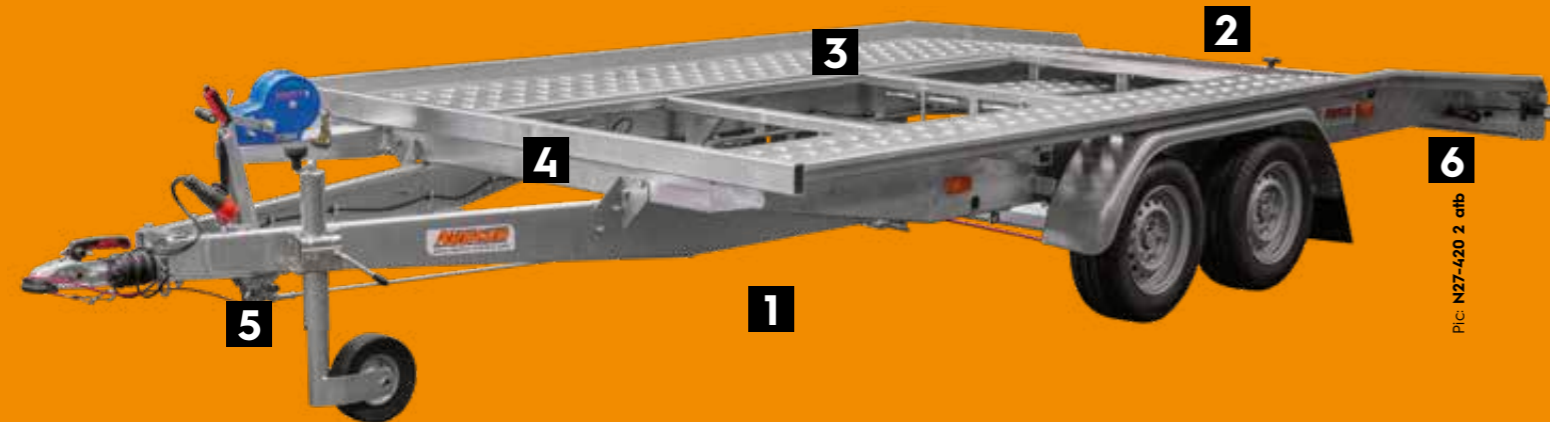


N7-17 navy: Side Support Flat (Slaid)

Typesetting and printing errors can be expected. Reprint of material is forbidden. V120.en We reserve the right for price and construction changes without prior notice at any time.

Typesetting and printing errors can be expected. Reprint of material is forbidden. V120.en We reserve the right for price and construction changes without prior notice at any time.

# LAWETA



Pic. N27-420 2 atb

## TRAILER FOR TRANSPORTING CARS AND MACHINES

### 1 Rigid and durable construction

High construction strength is provided by the fully welded frame and hot-dip galvanised drawbar.

### 2 Ramps

The trailer N27-420 2 ATB is equipped with two ramps (1990x320 mm) made of perforated embossed sheet metal to facilitate the entry and exit of the vehicle from the platform. The ramps are hidden in special pockets under the platform and are additionally protected against vibration and protruding.

### 3 Transport

Vehicles in ATB models are transported on transport rails made of perforated embossed sheet metal.

### 4 Easy loading and unloading

The special design of the ATB load platform and the ramps allow loading and unloading without unhooking the trailer.

### 5 Safety and comfort

The trailers use AL-KO independent axle suspension to ensure safe and stable driving.

### 6 Light protection

The multifunctional lights are mounted inside the rear beam. This protects them from damage, moisture and mud. The cable connectors are protected in the best possible way and ensure many years of maintenance-free operation. The lighting of the N27-420 2 ATB trailers is based on LED lamps.

### 7 Standard equipment

The standard equipment of the trailers includes, among other things, wheel chocks and a manoeuvring wheel with clamp, in addition the ATB model has two ramps and a 1100 kg winch.

### 8 Additional accessories

For trailers there are additional optional accessories available listed in the table.

## LAWETA - TECHNICAL SPECIFICATIONS

Code	Model	Sides	Internal Dimensions (mm)			GROSS WEIGHT (kg)	PAYLOAD (kg)	Axles	Tipping	Brakes	Tyres
			Length	Width	Height						
GN211	N27-420 2 atb	-	4200	2050	60	2700	2098	2		√	185/60 R12C



www.neptun-anhaenger.com

Typesetting and printing errors can be expected. Reprint of material is forbidden. V120.en We reserve the right for price and construction changes without prior notice at any time.

Accessory	GN211
Name	N27-420 2 atb
Spare Wheel, 185/60 R12C, 5x112 mm	KK027
Spare Wheelholder, side	GA415
Anti-slip plywood floor 15 mm	GA414
Driving stabilizer	GA403
Anti-theft, Box Lock w/ Padlock	AU121
Wheel wedges	AU123
Wheel wedge handle	AU123A
Set of shock absorbers for braked axles, AL-KO	2 x GA355
Clamp for Jockey Wheel (fi60)	OK003
Jockey Wheel, (fi60)	KM008
Support leg swingable	KM012
Hand crank for support leg	KM013
A set of support legs	GA423



N27-420 2 atb: Floor - Board



N27-420 2 atb: Ramps



N27-420 2 atb: Rear Support



N27-420 2 atb: Winch

Typesetting and printing errors can be expected. Reprint of material is forbidden. V120.en We reserve the right for price and construction changes without prior notice at any time.

# KIPPER



PIC N27-256 2 kiper

## STURDY DOUBLE-AXLE TIPPER TILTABLE BACKWARDS

### 1 Large load space thanks to openable and removable sideboards

Trailers with wheels under the loading platform. This makes the load space considerably larger than in trailers from other manufacturers. All boards can be opened or removed. They are the perfect solution for transporting materials loaded with a forklift and on all four sides of the trailer - not just the rear. The removable sideboards make work much easier and the smooth sheet metal floor makes it easier to slide the goods when tilting.

### 2 Removable corner posts

All corner posts can be removed, making the trailer versatile and easy to adapt to different needs. When all the boards and posts are removed, you get a completely flat trailer for bulky loads.

### 3 Strong sideboards, strong locks

The trailer is fitted with a double locking system at each corner. This is another feature of the trailer for professional and frequent use.

### 4 Welded frame and chassis

Welded frame and chassis and strong sagittal drawbar all hot-dip galvanised.

### 5 Hydraulic jack

The hydraulic jack has a large range of movement. The trailer is equipped with a hydraulic system with 2 pumps: a manually driven piston pump and a gear pump driven by e.g. a cordless screwdriver (not supplied with the trailer). This allows you to unload even heavy loads efficiently and effortlessly on your own.

### 6 Easy load securing

The trailer is fitted with holders which extend from the floor for securing the load. The steel floor (platform) is therefore completely flat and loading is safe as no part of the floor will be damaged.

### 7 Light protection

The multifunction lights are mounted inside the rear beam and under the rear board so that they are protected from damage and from moisture and mud. The cable connectors are protected in the best possible way and ensure many years of maintenance-free operation.

### 8 Safety and comfort

The trailers feature AL-KO independent axle suspension to ensure a safe and stable driving. The trailer equipment as standard includes a fi 60 sturdy automatically folding manoeuvring wheels and wheel chocks. For trailers there are additional optional accessories available listed in the table.

## TECHNICAL SPECIFICATIONS

Code	Model	Sides	Internal Dimensions (mm)			GROSS WEIGHT (kg)	PAYLOAD (kg)	Axles	Tipping	Brakes	Tyres
			Length	Width	Height						
GN251	N27-256 2 kipper	Steel	2565	1480	300	2700	2155	2	✓	✓	165R13C



www.neptun-anhaenger.com

Accessory	GN251
Name	N27-256 2 kipper
High Cover w/ Strap Fasteners, 1400 mm, 520 g/m2, Grey	AP300
High Cover w/ Strap Fasteners, 1400 mm, 650 g/m2, Grey	AP301
Hoops for High Cover, 1400 mm	GA442
Spare Wheel, 165R13C, 5x112 mm	KK021
Spare Wheel Support	GA428
Mesh Side Kit, 600 mm	GA438
Ladder Rack	GA439
Driving stabilizer	GA403
Anti-theft, Box Lock w/ Padlock	AU121
Wheel wedges	AU123
Wheel wedge handle	AU123A
A set of support legs	GA440



N27-256 2: Kipper Back



M27-256 2 kipper: Mesh Side Kit



N27-256 2 kipper: Ladder Rack



N27-256 2 kipper: High Cover 1400 mm

Typesetting and printing errors can be expected. Reprint of material is forbidden. V1/20.en We reserve the right for price and construction changes without prior notice at any time.

Typesetting and printing errors can be expected. Reprint of material is forbidden. V1/20.en We reserve the right for price and construction changes without prior notice at any time.

